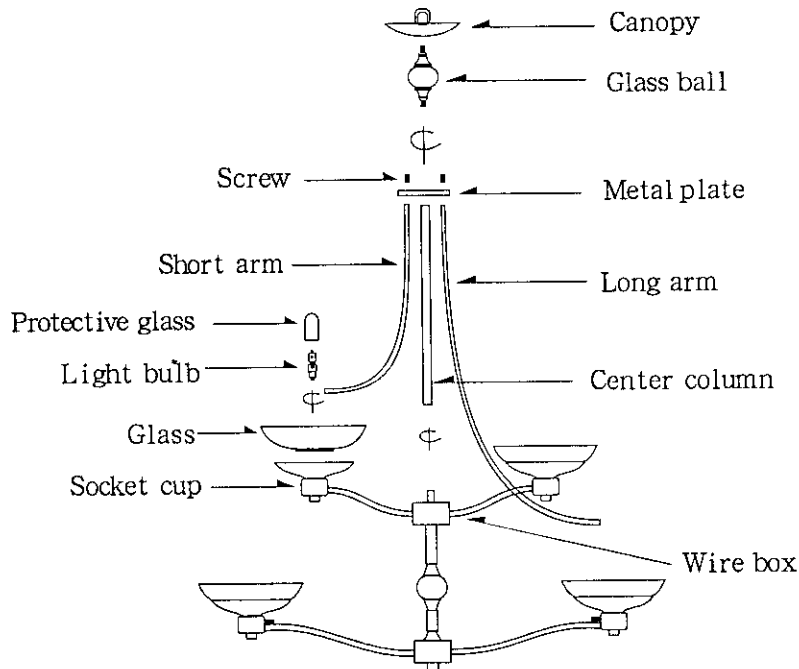


ASSEMBLY INSTRUCTIONS

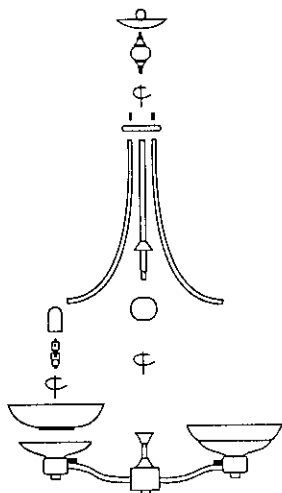
READ AND SAVE THESE INSTRUCTIONS

UNPACK THE FIXTURE

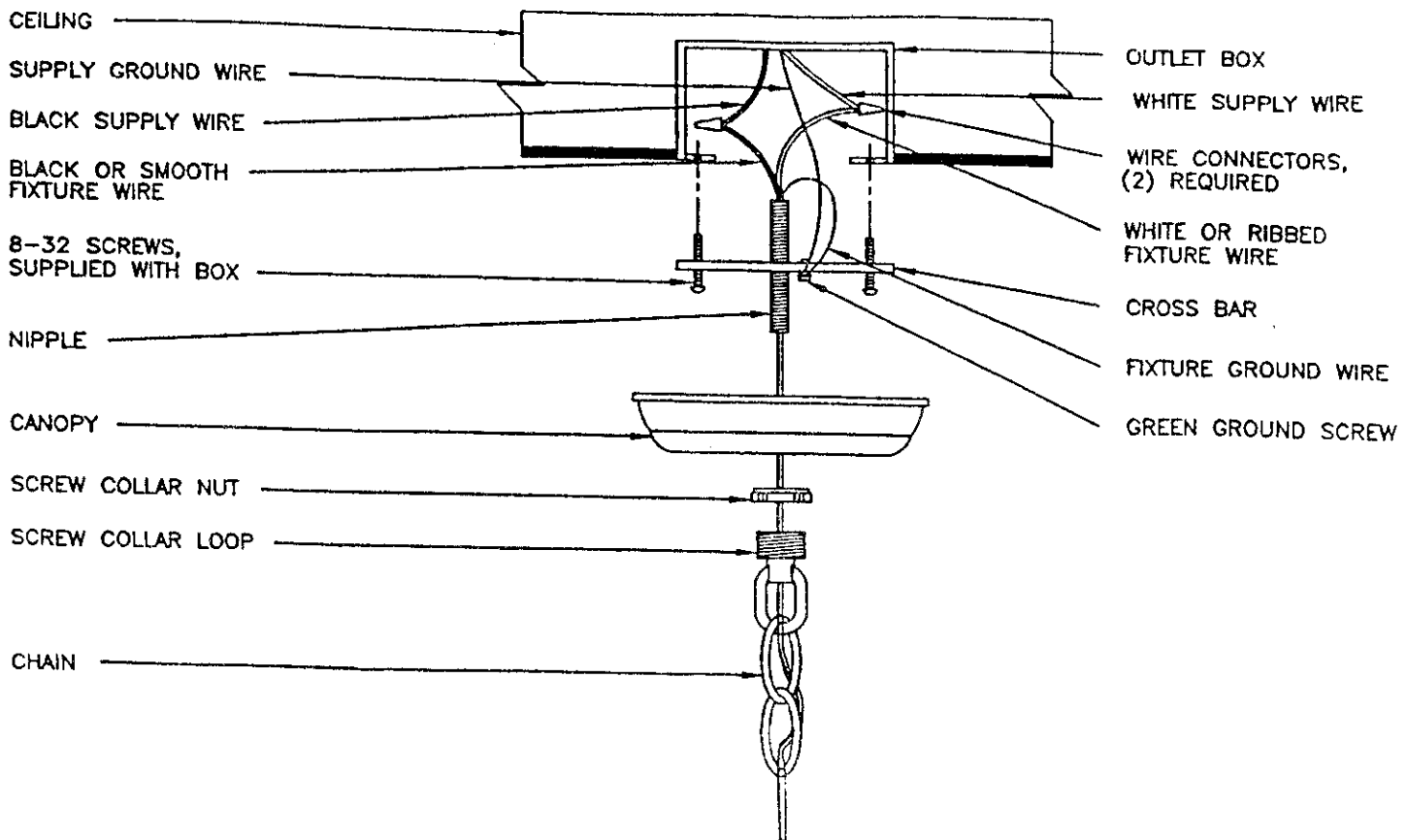
1. TO PROTECT THE FIXTURE, PLACE ALL PARTS ON A SOFT SURFACE.
2. FIRST, TIGHTEN THE CENTER COLUMN TO THE WIRE BOX.
3. ASSEMBLY THE GLASS BALL TO THE CENTER COLUMN THROUGH THE HOLE OF THE METAL PLATE AND TIGHTEN IT.
4. INSERT THE LONG ARMS TO THE SIDE HOLE OF THE BOTTOM SOCKET CUP, INSERT THE SHORT ARM TO THE SIDE HOLE OF THE TOP SOCKET CUP (AS DIAGRAM).
5. ASSEMBLY THE OTHER END OF THE LONG ARMS AND SHORT ARMS TO THE METAL PLATE, TIGHTEN IT BY SCREW.
6. MOUNT THE CANOPY AND USE THE HANGING LOOP TO TIGHTEN IT (AS DIAGRAM).
7. INSERT THE GLASS ONTO THE SPRING CLIP WHICH IS SIT ON THE BOTH SIDE OF THE SOCKET. AND THEN ASSEMBLY THE LIGHT BULB AND THE PROTECTIVE GLASS.



Item No: 29469



Item No: 29463/29465



INSTALLATION INSTRUCTIONS

READ AND SAVE THESE INSTRUCTIONS

CAUTION

TO AVOID POSSIBLE ELECTRIC SHOCK, MAKE SURE THE ELECTRICITY IS SHUT OFF AT THE MAIN PANEL. IF YOU ARE REPLACING AN EXISTING FIXTURE, FIRST TURN THE FIXTURE OFF. NEXT, TURN THE WALL SWITCH OFF. FINALLY, GO TO THE MAIN FUSE OR BREAKER BOX IN YOUR HOME. TURN THE FUSE OR BREAKER TO THE OFF POSITION. SOME TYPES OF FUSES MUST BE UNSCREWED TO SHUT OFF THE POWER. * ALL WIRING MUST BE DONE IN ACCORDANCE WITH NATIONAL AND LOCAL ELECTRIC CODES. IF YOU ARE NOT FAMILIAR WITH WIRING, YOU SHOULD USE A QUALIFIED ELECTRICIAN.

**THIS FIXTURE IS INTENDED TO BE MOUNTED TO A UL LISTED OUTLET BOX CAPABLE OF SUPPORTING THE FIXTURE.

1. ATTACH THE CROSSBAR TO THE CEILING OUTLET BOX USING THE TWO SCREWS PROVIDED WITH THE OUTLET BOX. (NOTE: IF THE SCREWS WITH OUTLET BOX ARE TOO SHORT, USE THE (2) 8-32 X 1 1/4" SCREWS PROVIDED IN THE MOUNTING HARDWARE PACKAGE). NEXT, SCREW THE SCREW COLLAR LOOP ONTO THE NIPPLE AND THEN SCREW THE NIPPLE INTO THE CROSS BAR.
2. SLIDE THE SCREW COLLAR NUT AND THEN THE CANOPY ONTO THE END OF THE CHAIN. THEN FASTEN THE END LINK OF CHAIN TO THE SCREW COLLAR LOOP.
3. INSERT THE FIXTURE WIRE AND THE GROUND WIRE UP THROUGH THE NIPPLE. ATTACH THE WHITE OR RIBBED FIXTURE WIRE TO THE WHITE SUPPLY WIRE IN THE OUTLET BOX USING THE TWIST-ON WIRE CONNECTORS PROVIDED. ATTACH THE BLACK OR SMOOTH FIXTURE WIRE TO THE BLACK SUPPLY WIRE IN THE SAME MANNER. ATTACH THE FIXTURE AND SUPPLY GROUND WIRES ONTO THE CROSS BAR USING THE GREEN GROUND SCREW.
4. TUCK THE WIRES CAREFULLY INSIDE THE OUTLET BOX. NEXT RAISE THE CANOPY TO THE CEILING AND SECURE IN PLACE BY SCREWING THE SCREW COLLAR NUT ONTO THE SCREW COLLAR LOOP.
5. INSTALL THE THREE GLASS SHADES AND SECURE WITH SOCKET RINGS. INSTALL 60 WATT MAX. BULBS (NOT INCLUDED) IN SOCKETS. ATTACH TWO SUPPORT RODS. FIRST HOOK ONE END OF A SUPPORT ROD ONTO AN S-HOOK. HOOK THE OTHER END ONTO A HANGER PLATE HOOK. INSTALL THE SECOND SUPPORT ROD IN THE SAME MANNER. PLACE GLASS BOWL INTO RING AS SHOWN. INSTALL THIRD SUPPORT ROD IN THE SAME MANNER AS THE FIRST TWO.
6. RESTORE POWER. YOUR NEW FIXTURE IS NOW READY TO USE.